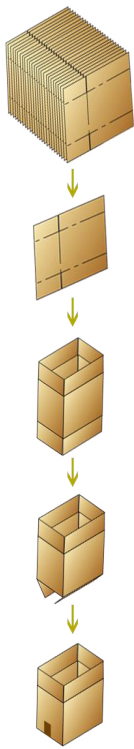
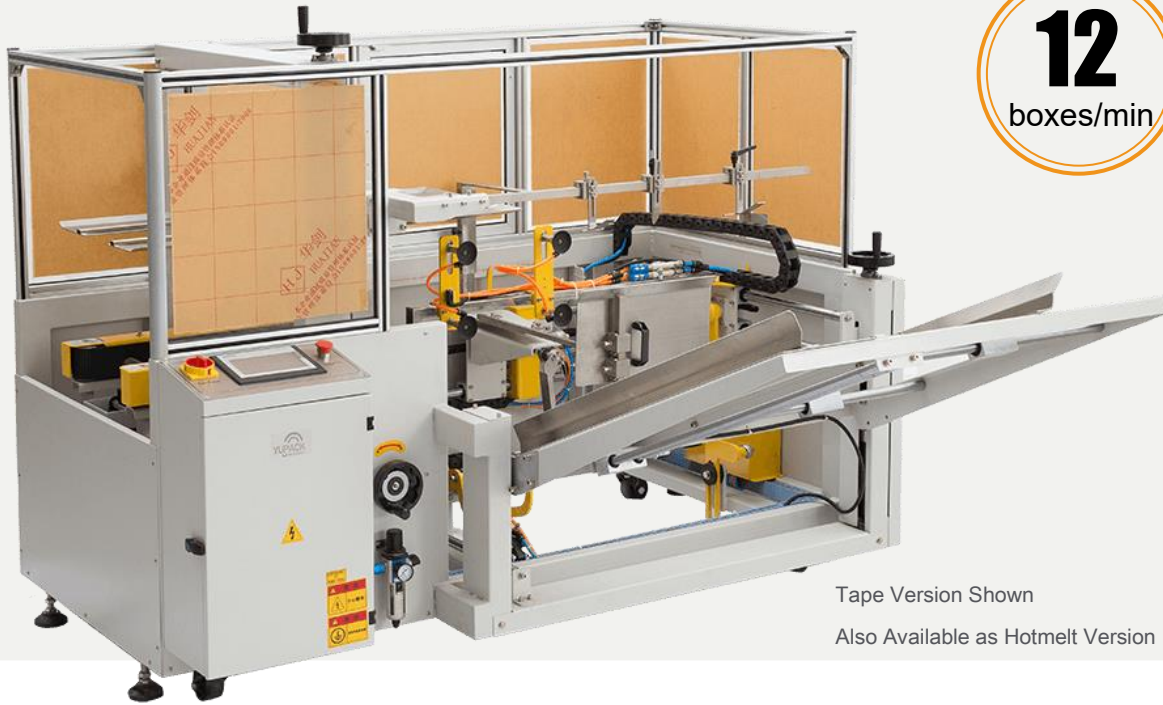


Model YPK4012



Fully Automatic Case Erector



12
boxes/min

Tape Version Shown

Also Available as Hotmelt Version

The automatic erector machine is used for forming and sealing cartons. The maximum working speed of the vertical opening mode can be 12 boxes per minute. It is usually used in conjunction with the sea ling machine, packing machine and other equipment.



Minimize your running cost

Trouble-free case erection even with thin cartons. Lower running cost and continuous production with hot melt.



Reliable Case Transfer

carton transfer system features upgraded, include vacuum system and vacuum cups.



Quick/easy load hopper

ensure box loading and changeover are simple and efficient.



Case of Packing Line Of Erector Machine.

Model YPK4012 Fully Automatic Case Erector

Characteristics:

- Suck, form and seal boxes automatically.
- Max. speed: 12boxes/min.
- Imported electrical configurations keep working performance more stably.
- Can be used separately or in conjunction with the conveyor line.

Specification:

- Motor: Taiwan
- Blade: SKD11
- Cylinder/Solenoid valve: AIRTAC
- PLC: Siemens
- Touchscreen: Siemens
- Electrical key parts: Schneider 1 Omron

Specifications:

Model	YPK-4012
Carton size	L(250mm-900mm); W(160mm-400mm); 510<(L+W)<1200mm; 285<w/2+H<700MM
Packing speed	8-12pcs/min
Width of adhesive tape	48mm,60mm,72mm
Power	400W
Voltage	220V/ 50Hz single phase
Air supply	6kgf/cm ² , 450nl/min
Conveyor height	Min.600mm Max.700mm Standard height:650mm
Machine dimension	L2100mm*W2100mm*H1480mm
N.W	400kg



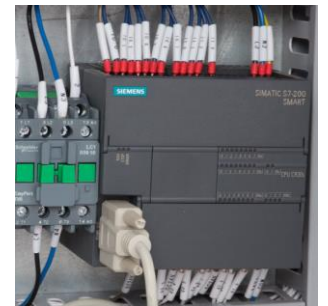
1. Taiwan AIRTAC Pneumatic Components



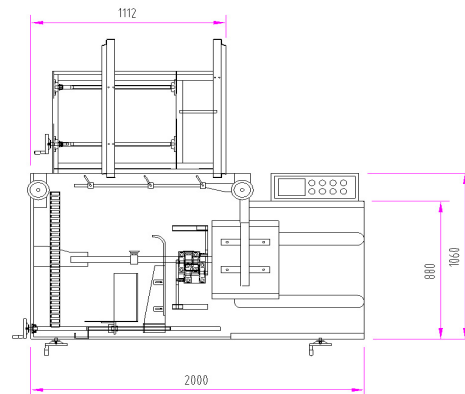
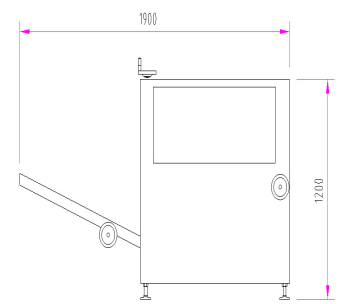
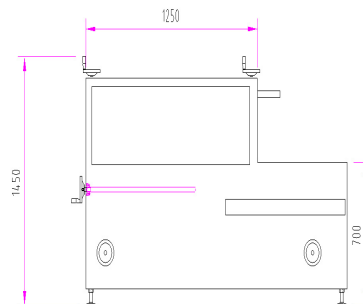
2. Touch screen adopts German Siemens



3. SCHNEIDER Electrical Parts



4. SIEMENS PLC Program Control



NEOSYS VIETLOI CO., LTD



ERECTORS | PACKERS | SEALERS | STRAPPING | PALLETIZE

Add: 26B, Street No.10, Thao Dien Ward, District 2, HCMC
Tel: +84 0282253 2772 / +84 0902 886 117

Email: info@neosys-vietloi.com.vn
Website: www.neosysvietloi.com.vn